

System concept

The successor of the Vectron POS Touch 12 is even more powerful thanks to its new electronics and comes with a scratch-proof and wear-free capacitive glass touch screen. High-quality materials and meticulous workmanship make the compact POS system extremely reliable and durable. It is also suitable for use in difficult environments like in bakery shops and on restaurant counters.

Even in case of power failure the Vectron POS Touch 12 II PCT shuts down safely and without data loss.



Hardware

Technical data of Touch 12 II PCT POS system	
Display diagonal	307 mm (12.1")
Display type	TFT-LCD
Display backlight	LED backlight
Display size (active)	246 x 184.5 mm
Display resolution	800 x 600 pixel
Colours	True Color
Input	Touch screen (projective-capacitive)
Housing and foot	black plastic and coated metal
Processor	i.MX 6, DualLite, 1GHz
Main memory	1 GB DDR3
Mass memory	8 GB Flash memory (eMMC)
Network	10/100/1000 BASE-T; Ethernet
USB ports	8x USB 2.0; type A; 2 of which at the bottom
Serial ports	6x RS232; type RJ45; for additional devices
Cash drawer ports	2x type RJ12; for up to four cash drawers with Y-cable
Audio socket	3.5 mm jack; stereo; for loudspeaker
SD-card slot	for SD-cards up to 4 GB and SDHC-cards up to 32 GB
SIM-card slot	for standard Mini SIM-cards (25 x 15 mm)
Loudspeaker	mono; 2 W
Power supply	with foot: Vectron PS60/PS61 (integrated in foot) with wall mount: Vectron PS61
Buffer battery	for permanent power supply of the cache



DATA SHEET

VECTRON POS TOUCH 12 II PCT



Technical data of Touch 12 II PCT POS system	
Power consumption	17 W maximum 13 W in normal mode without external appliances 0.5 W in standby
Temperature	storage: -10 to 50 °C operation: 0 to 40 °C
Dimensions (W x H x D)	with foot S400: approx. 308 x 390 x 270 mm (depending on tilt angle) with foot S500: approx. 308 x 200 x 351 mm (depending on tilt angle) with wall mount: 308 x 280 x 104 mm
Weight	with foot S400: approx. 9.3 kg with foot S500: approx. 5.8 kg with wall mount: approx. 4.3 kg
Certified	CE

Technical data of power supply Vectron PS60 or Vectron PS61	
Input voltage	100 to 240 V alternating voltage
Output voltage	+ 24 V direct current
Output current	max. 3.75 A
Output power	max. 90 W
Power consumption	max. 93 W
No-load loss	0.3 to 0.5 W
Temperature	storage: -40 to 85 °C operation: 0 to 40 °C
Air humidity	operation: 5 to 95 %, non condensing
Dimensions (W x H x D)	145 x 60 x 32 mm
Weight	PS60: 450 g / PS61: 495 g
Certified	CE, UL 60950-1

Software

Technical data of Vectron POS software	
PLUs	1,000,000*
Departments	65,535*
Operators	2,000*
Guest checks or customers	65,535*
Cash registers per network	200*
Printers per network	100*
User interface	gesture recognition (swipe) for fast navigation use of own images and icons also with transparency channel pre-defined high-resolution fonts
bonVito	unrestricted support of the bonVito online marketing tool (liable to costs - more information and prices at www.bonvito.net)





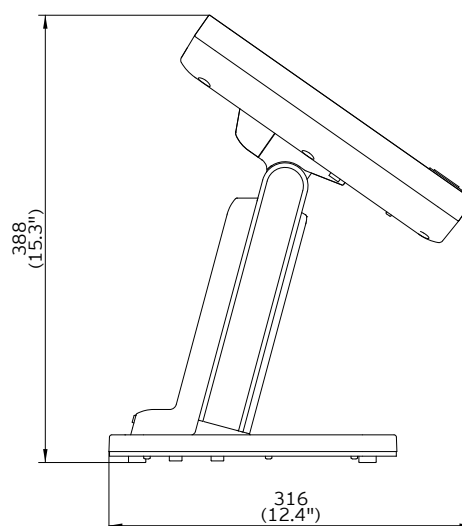
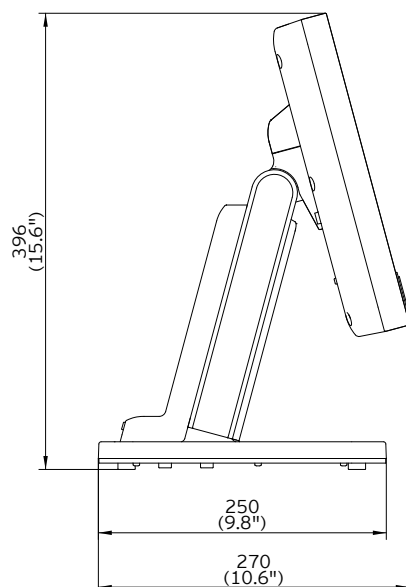
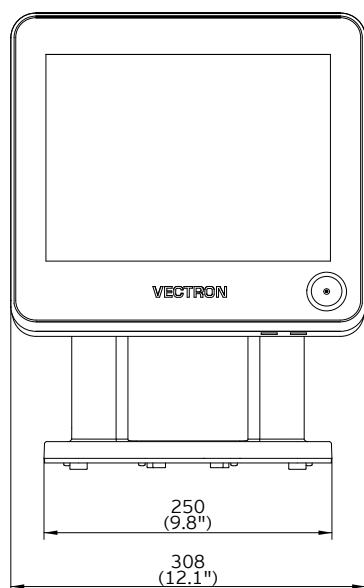
Technical data of Vectron POS software	
Special features	All server functions of POS Touch 12 II PCT Light can be used exclusively with a mobile or hybrid Vectron POS system. POS Touch 12 II PCT Light always works as server.
	The use of mobile or hybrid Vectron POS systems in such a network is limited to max. 10 mobile systems - together with POS Touch 12 II PCT Light max. 11 POS systems in network are possible.
	Except for when receiving the programming, POS Touch 12 II PCT Light exclusively accepts links of a mobile or hybrid Vectron POS system.
	Peripherals can be used within the existing scope.
	Upgrade to a normal POS Touch 12 II PCT software licence is possible by purchasing the appropriate update licence.
*	The indicated values are maximum values, which can only be reached with special programming and optimum hardware equipment. The available functions also depend on the used software version and the programming of the POS system. Please contact your Vectron dealer to assist you with your special requirements.

Shipment

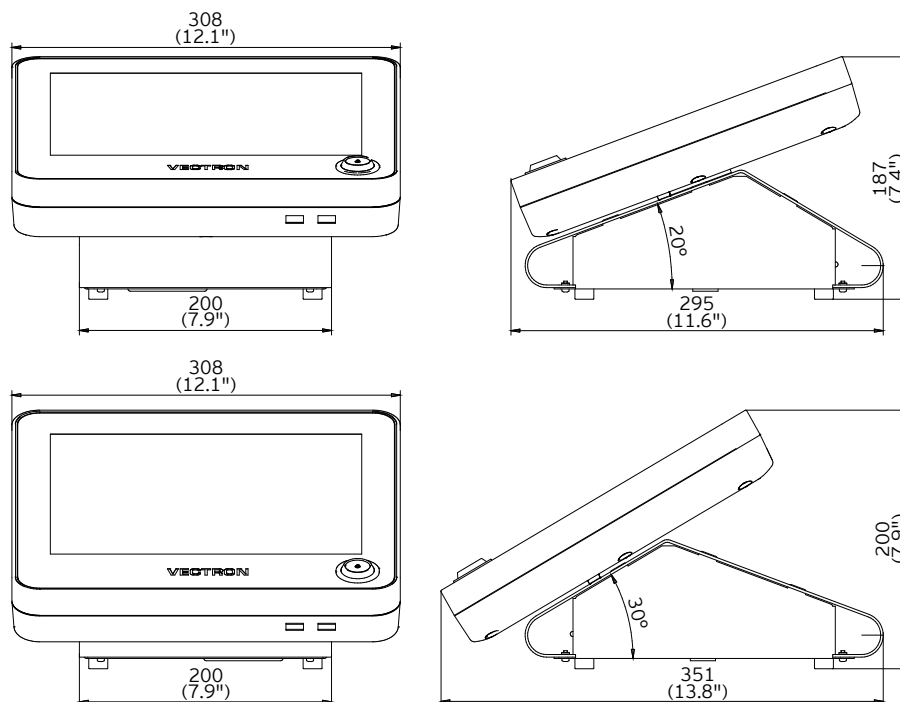
	Vectron POS Touch 12 II PCT (with foot S400)	Vectron POS Touch 12 II PCT (with foot S500)	Vectron POS Touch 12 II PCT (with wall mount)
Standard shipment	Vectron POS Touch 12 II PCT POS system incl. foot S400	Vectron POS Touch 12 II PCT POS system incl. foot S500	Vectron POS Touch 12 II PCT POS system incl. wall mount
	Housing Touch 12 port cover foot	Housing Touch 12 port cover foot	Housing Touch 12 port cover wall mount
	Power supply Vectron PS60	Power supply Vectron PS61	Power supply Vectron PS61
	Operator lock Vectron L10 with four operator keys		
	Two covers each for the SD-card- and SIM-card slot		
	Power cord		
	Vectron POS software with licence		
	Notes on safety and installation		
	Dispatch box		
Optional accessories	Operator lock Vectron L21, Vectron L30		
	Customer display Vectron C56, Vectron C75, Vectron C100		



Dimensions incl. foot S400 (in mm and inch)



Dimensions incl. foot S500 (in mm and inch)



Dimensions incl. wall mount (in mm and inch)

