



# Vectron Systems AG – Data sheet

## Monitor Vectron D80T

May 2006

### Technical data – Hardware

- Two-piece plastic housing (screen- and stand unit)
- Screen and housing splash-proof
- LCD in TFT-design, 8.4" (21.3 cm) screen diagonal (view area 17.0 x 12.8 cm)
- Tilt angle: +35 to -5 degrees
- Resolution max. 800 x 600 pixels (VGA) with 256 colours in combination with Vectron POS Modular
- Brightness up to 220 cd/m<sup>2</sup>
- Tempered glass to protect the LCD
- Touch screen: resistive, serial port SUB-D 9 f
- Port signal: SUB-D 15 f, analogue RGB
- OSD buttons for On/Off, Menu, up, down, Selection
- DC power input: +12V/2A from DC input jack

#### Ports:

- COM: 1xRS232, for touch screen connection
- VGA display port
- DC input: for power input, +12V/2A
- Operation temperature 0 ... 40° C; humidity: 8% ... 95%, non-condensing
- Storage temperature -20 ... 60° C; humidity: 5% to 95%, non-condensing (for ambient temperature >40° C, the maximum absolute humidity should be less than 95% RH at 40° C)

- Certified: FCC, CE, UL, C-UL, TÜV/GS, Demko



Monitor Vectron D80T





# Vectron Systems AG – Data sheet

## Monitor Vectron D80T

May 2006

### Shipment

Shipment of Vectron D80T comprises:

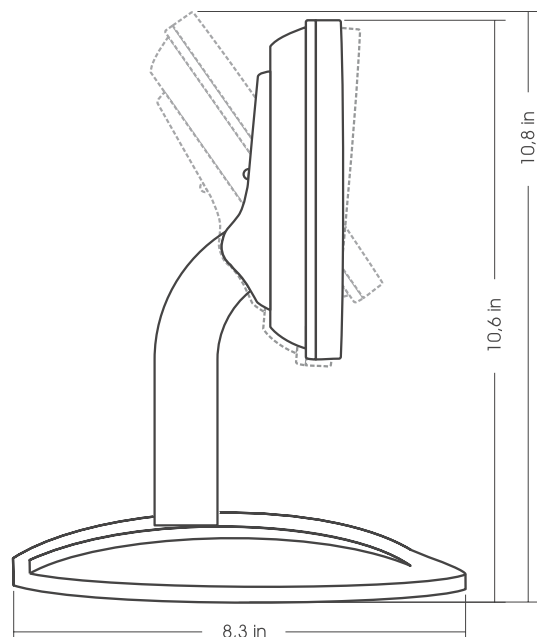
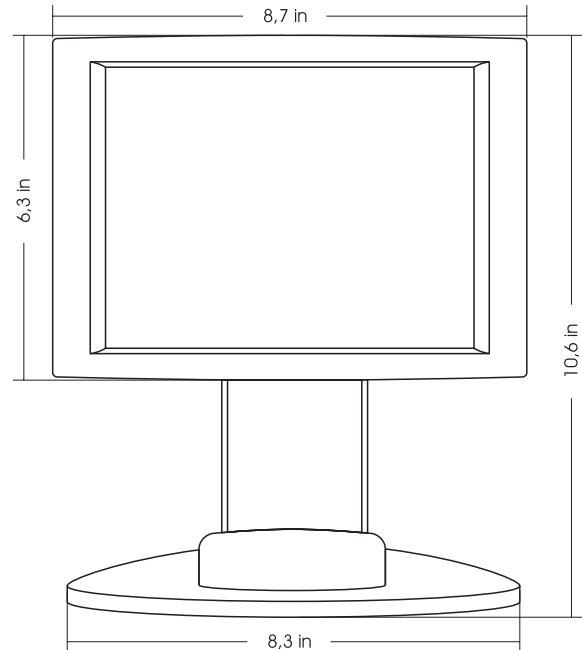
- One monitor Vectron D80T with integrated touch screen in anthracite
- External power supply with country-specific power cable, length approx. 110 cm
- VGA-cable (HD 15 m to HD 15 m) to connect the monitor to a VGA-port of POS Modular, length approx. 150 cm
- Serial cable (Sub-D 9 m to Sub-D 9 f), length approx. 200 cm
- RJ-45 cable incl. adapter RJ-45 to Sub-D 9 m to connect the integrated touch screen to a serial port of POS Modular, length approx. 200 cm
- Driver-CD
- Operating instructions in English
- Dispatch box Dimensions
  
- Screen: width 22 cm, height 16 cm
- Total height with vertical screen: 27 cm
- Diameter foot: 21 cm

### Weight

- approx. 2700 g (incl. power supply)

### Dimensions

1 inch = 25,4 mm



# Vectron

Leading in POS Technology