

Vectron Systems AG – Data sheet

Monitor Vectron D153T

October 2007

Technical data – Hardware

- Two-part plastic housing (screen- and stand unit)
- LCD in TFT-design, 15" (38,1 cm) screen diagonal, swivable from -5° up to +90°
- Resolution up to 1024 x 768 pixels (XGA), up to 16.2 million colours
- Brightness up to 280 cd/m²
- Contrast 400:1
- Response time 12 milliseconds
- CCFL background lighting
- Viewing angle 60° each left and right, 40° top and 60° bottom
- Analogue-resistive touch panel
- Compatible to VESA Mount Standard

Operating elements at the side:

- Keys for On/Off, Menu, Selection, Exit

Ports at the bottom:

- Serial port Sub-D 9 f for connection of touch screen to Vectron POS Modular
- USB-port for connection of touch screen (not supported)
- VGA-port HD 15 f
- DVI-port (not supported)
- Loudspeaker port (not supported)
- Power supply 12V (for external power supply)
- Power supply 100-240V

- Operating temperature 0 ... 40° C
- Storage temperature -20 ... 60° C
- Air humidity 20 ... 80 %



Monitor Vectron D153T

Certificates:

UL, cUL, FCC, CE, TÜV-GS, MPRII, VCCI, C-Tick



Vectron

Leading in POS Technology

Shipment

Shipment of the Monitor Vectron D153T comprises:

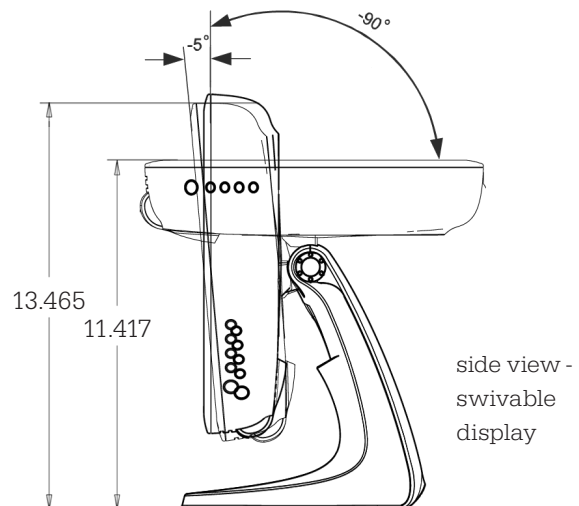
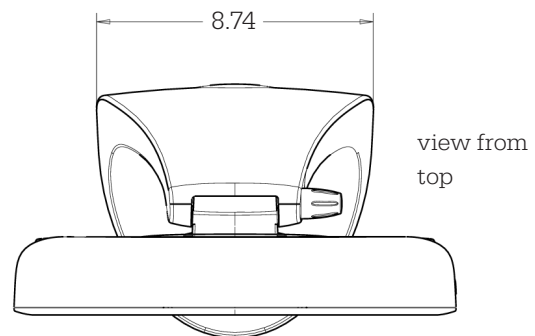
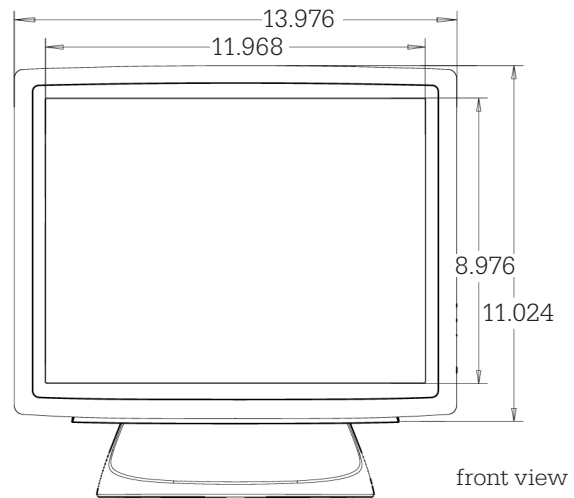
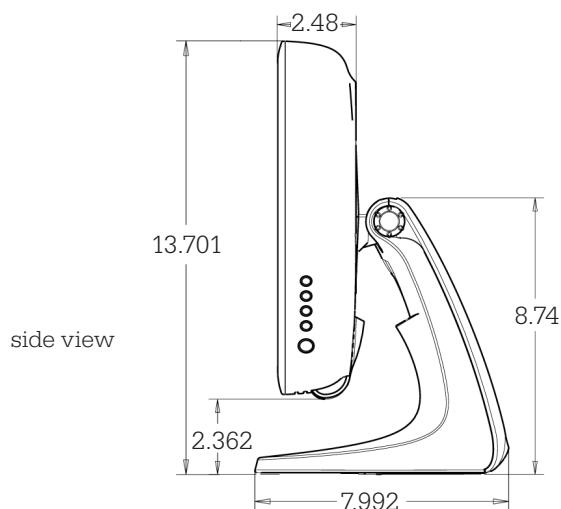
- One monitor Vectron D153T
- Power cord EU and US, length approx. 180 cm
- VGA-cable (HD 15 m to HD 15 m) for monitor connection to a VGA-port of POS Modular, length approx. 190 cm
- Serial cable (Sub-D 9 m to Sub-D 9 f) incl. adapter RJ-45 to Sub-D 9 m for connection of integrated touch screen to a serial port of the POS Modular, length approx. 190 cm
- USB-cable (Host on Function) to use the USB-ports of the monitor, length approx. 180 cm
- DVI-cable to use the DVI-port of the monitor, length approx. 180 cm
- Audio cable to use the loudspeaker port of the monitor, 3,5 mm jack plug, length approx. 180 cm
- Cable RJ45 unshielded, length approx. 100 cm
- Driver-CD
- Dispatch box

Weight

- approx. 6.850 g

Dimensions

(all dimensions in inch)



Vectron

Leading in POS Technology