



Vectron Systems AG – Data sheet

Vectron POS MobilePro Terminal

September 2011

Technical data – Hardware

- 3,5" TFT display, background-lighted, transflactive, resolution 240 x 320 pixels
- analog-resistive 4-wire touch panel
- Keyboard with 20 keys (4 soft keys), background-lighted
- Magnesium diecast housing in pearl dark grey, very robust, dust- and waterproof, with various plastic elements in anthracite
- modern 64-Bit processor with 131 MHz clock frequency
- 8 MB SRAM (battery-buffered)
- 64 MB dynamic RAM
- 8 MB Flash-ROM
- Bluetooth interface for connection of printers and for PC-communication (VCOM, updates, dumps, etc.).
Further connections to e.g. bar code scanners or mobile phones are being prepared.
Bluetooth standard 1.1
- WLAN network interface, standard 802.11b, transfer rate up to 11 Mbit/s, range according to WLAN standard, extendable by means of roaming (application of several access points)
- optional 13,56 MHz transponder module for a contactless card system (customer cards, cashier sign-in, etc.), Tag-It standard available
- SIM-card reader
- Exchangeable 3,6V Li-Ion battery with 1950 mAh, max. operating time 10 hours
- License memory module
- Loudspeaker (digitized sounds)
- 2 LEDs integrated in housing (warning message, message receipt, etc.)
- Vibration motor
- Brightness sensor for automatic activation/deactivation of display and keyboard lighting to achieve optimum power management

- Tilt sensor for automatic adjustment of screen direction (180° rotation possible) and for automatic switch on and off depending on the tilt of terminal
- Temperature range (operating condition): -10 - +50°C

Certificates: CE, Bluetooth

Technical data – Software

- 100.000 PLUs*
- 65.535 Departments*
- 1.000 Cashiers*
- 65.535 Guest checks or customers*
- 200 Cash registers per network*
- 100 Printers per network*

*) The indicated values are maximum values, which can only be reached with special programming and optimum hardware equipment. Please contact your specialist dealer to assist you with your special requirements.

- Intelligent, partly sensor-controlled power management functions (tilt- and brightness sensor)
- On- and offline mode incl. synchronization mechanism for order- and print data when changing from offline- to online mode
- Improved functions for direct PLU keys via alphanumeric codes
- Support of Bluetooth interface (see above).
- Paging function combined with ServiceCall (as of version 4.2.2.0)



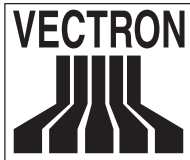
Vectron

Leading in POS Technology

Vectron Systems AG
Willy-Brandt-Weg 41
48155 Muenster / Germany
www.vectron.de



© Vectron Systems AG
Subject to error and technical modification.



Vectron Systems AG – Data sheet

Vectron POS MobilePro Terminal

September 2011

Weight

- approx. 300 g (incl. battery)

Dimensions

- Depth approx. 1,06 inch
- all dimensions in inch (1 inch = 25,4 mm)

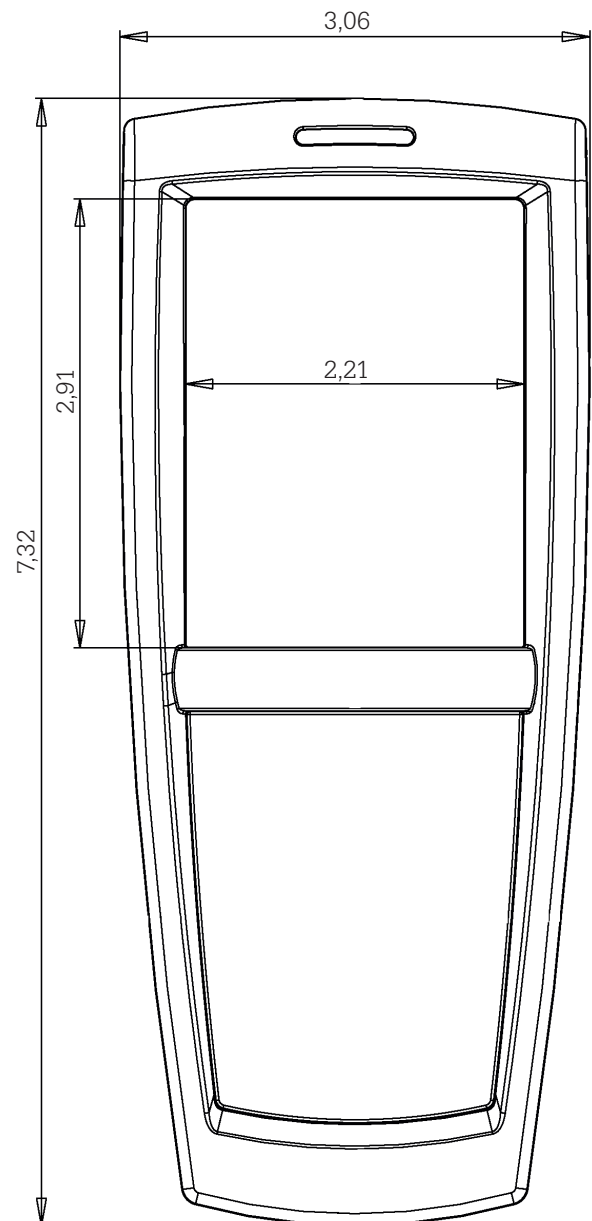
Optional accessories

- Charging station
- Touch pen (standard)
- Multi-function touch pen (pen and touch pen)
- Terminal belt
- Leather holster Terminal
- WLAN Access Point
- Fastening swirl
- Battery

Shipment

Standard delivery of Vectron POS MobilePro Terminal includes:

- 1 Vectron POS MobilePro Terminal, equipment as per order
- 1 battery
- User manual
- Dispatch box
- Software license as per order



Vectron

Leading in POS Technology

Vectron Systems AG
Willy-Brandt-Weg 41
48155 Muenster / Germany
www.vectron.de



© Vectron Systems AG
Subject to error and technical modification.